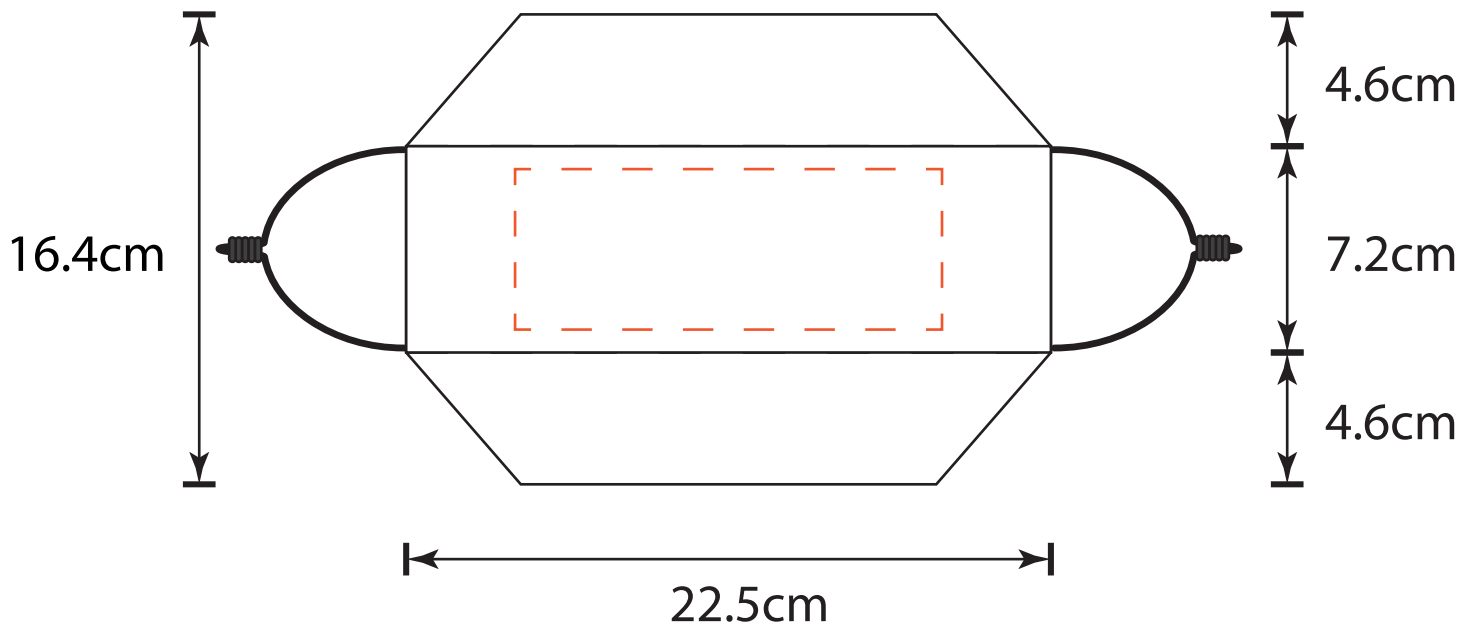


3D Face Mask - Custom Printed

Graphic Specifications



*Note: Critical images, such as text or non-background images, are **NOT** to be placed outside of the red dotted line. However, your artwork may allow non-critical images, such as background colour and images, bleed to the edges.

