

Square Hanging Sign Setup Instruction Sheet

Step 1: Unpack the Hanging sign from its bag. Make sure you have all the parts

Top Rails (T1-T10) x 6	Vertical Straight Beam x 4	Screws x 8	Allen Key x 1
Bottom Rails(B1-B10)x6	Vertical Curved Beam x 4	Screw Eye x 4	Graphic x 1
	Corner Beam X 8	Cable x 4	
		Quick Links x 8	
		Harness Ring x 1	

Step 2: Setting up the Rails

1) Connect the Top Rails matching the number (i.e. T1 with T1). Make sure the push pin is locked.

2) Repeat for the Bottom Rails (i.e. B1 with B1).

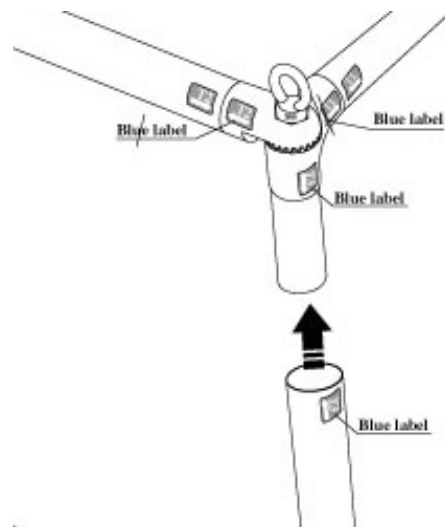
Note: When connecting the last joint, have someone stand across from you to brace the structure.



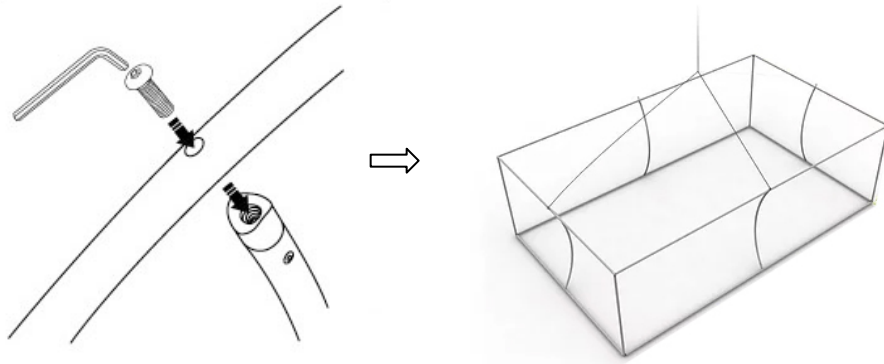
Step 3: Setting up the vertical beams

1) Lineup the Upper Rails to the Bottom Rails by matching their numbers (ie T1 with B1).

2) Connect the Top Rails and the bottom Rails with the matching numbered Vertical Rail. Make sure the push pin is locked.



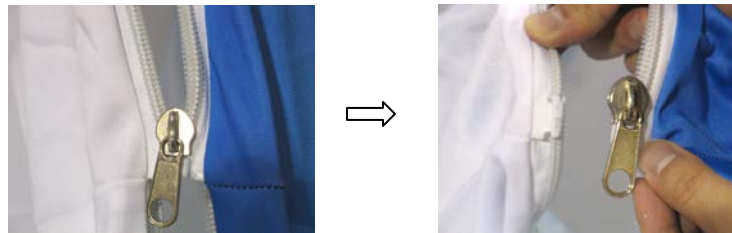
3) Using the Allen key, insert the Screws to secure the remaining Vertical Curved Beams.



Note: Make sure the arch of the vertical beam faces inside.

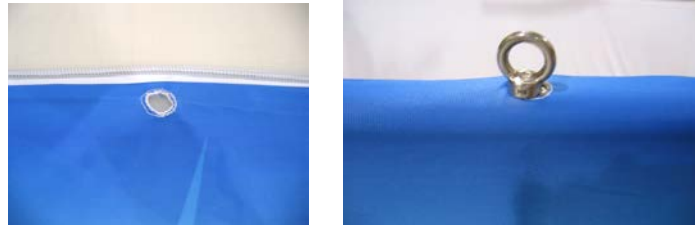
Step 4: Installing the graphic

1) Unzip the graphic and spread it out on the ground.



2) Place the frame onto the middle way of the graphic. Also, make sure the hole on the graphic lining up with the screw eye.

3) Remove the screw eye and secure 1 hole onto the frame with the screw eye.



4) Zip up the graphic and secure the other 2 holes on the graphic at the screw eye.

5) Secure the Quick Link onto the screw eye.

6) Use Harness Ring to link all 3 cables together for hanging if necessary.

