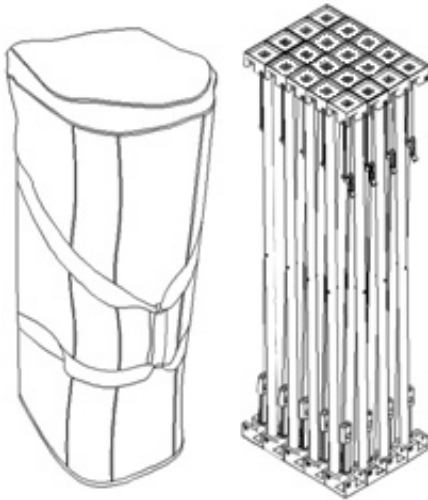


## 20ft Fabric Popup Setup Instruction Sheet

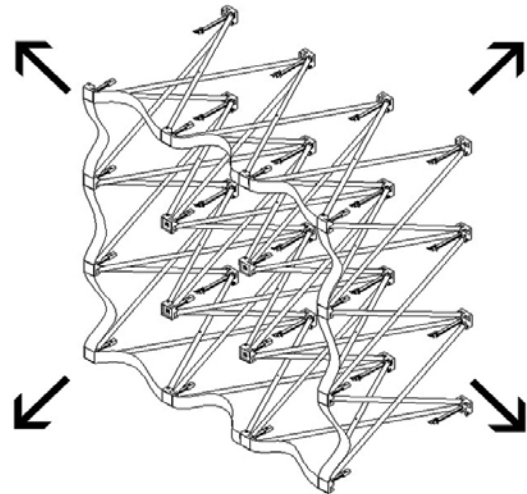
### Step 1: Expand the *Frame*

Take out the *Frame* from the *Case*.



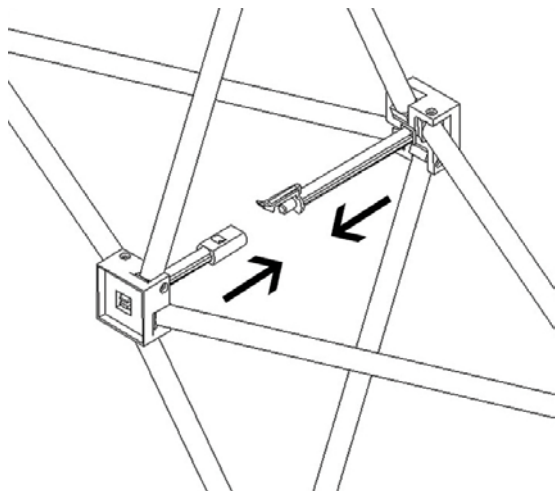
### Step 2: Expand the *Frame*

Expand Frame.



### Step 3: Expand the *Frame*

Connect all the frame locks by pushing them together.



### Step 4: Setup the Second Frame

Repeat **Steps 2 and 3** for the second frame.

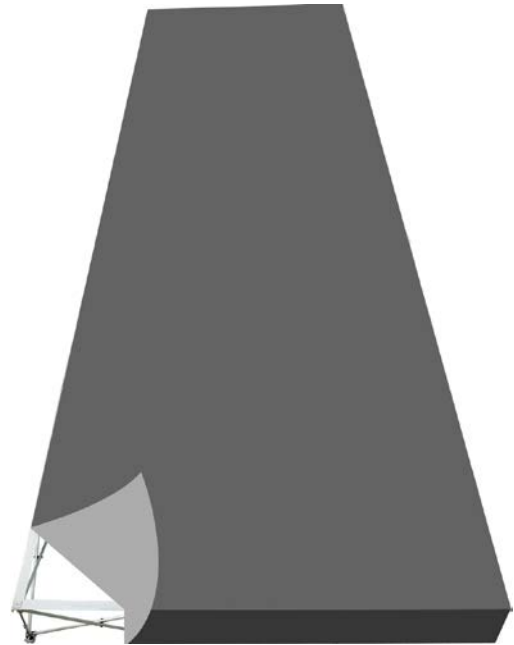
**Step 5:** Aligning the 2 frames

Place both frames side by side and lying flat on the ground. Ensuring they are lined up straight.

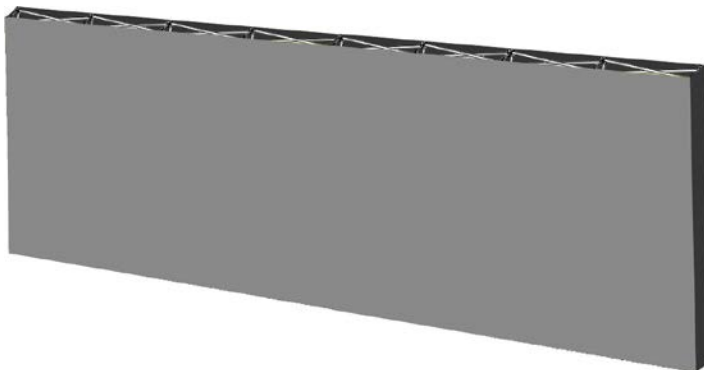


**Step 6:** Installing the *Fabric* onto the *Frame*

Attach fabric print to the velcro strips



**Step 7:** Set frame upright



**How to wash:** The fabric print can be placed into the washing machine with a small amount of detergent and then dried in the dryer using gentle tumble and low heat settings.