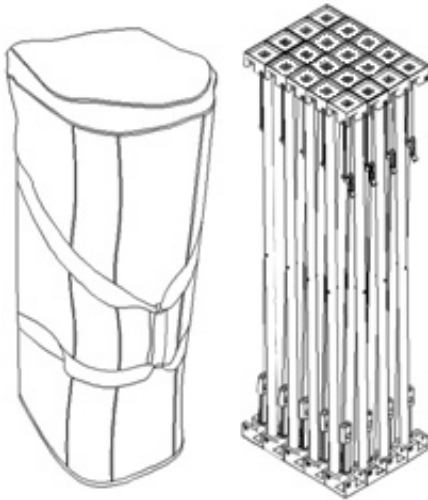


Fabric Popup Setup Instruction Sheet

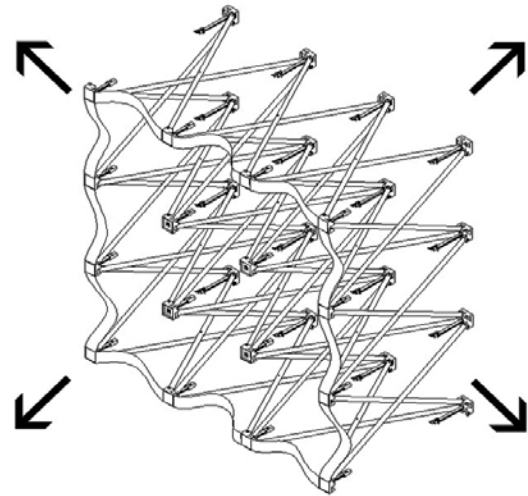
Step 1: Expand the *Frame*

a) Take out the *Frame* from the *Case*.



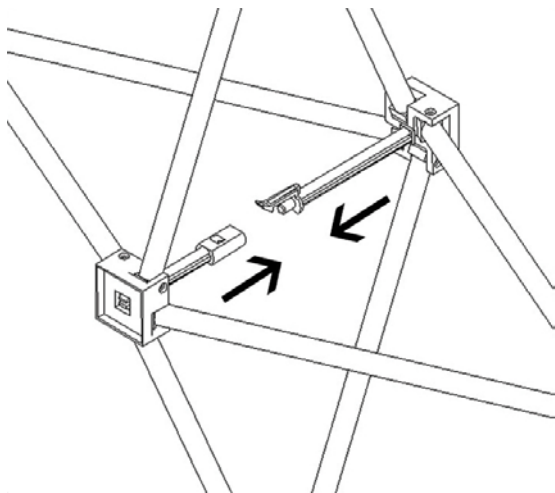
Step 2: Expand the *Frame*

b) Expand Frame.



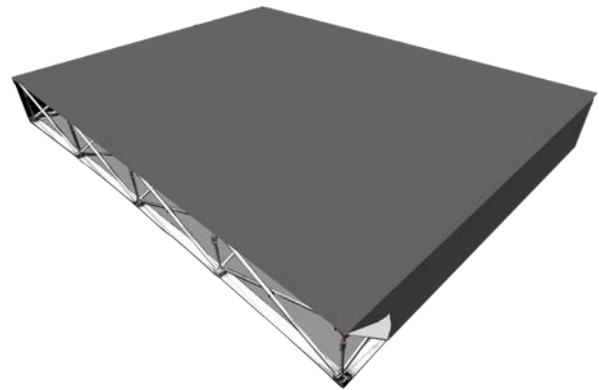
Step 3: Expand the *Frame*

a) Connect all the frame locks by pushing them together.



Step 4: Installing the *Fabric* onto the *Frame*

b) Attach fabric print to the velcro strips.



How to wash: The fabric print can be placed into the washing machine with a small amount of detergent and then dried in the dryer using gentle tumble and low heat settings.