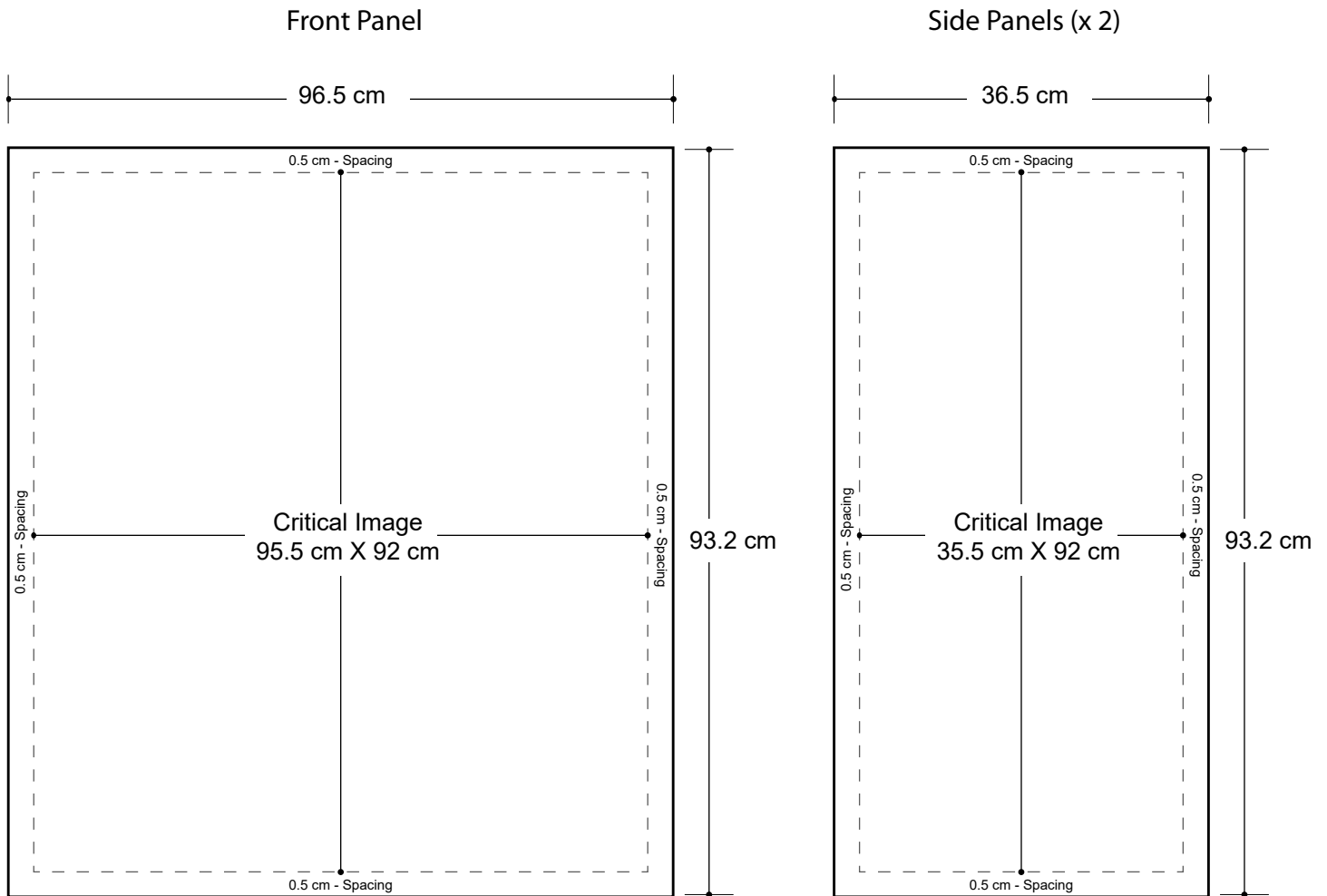


Modular Counter 120 (120cm x 60cm) (No Shelf)

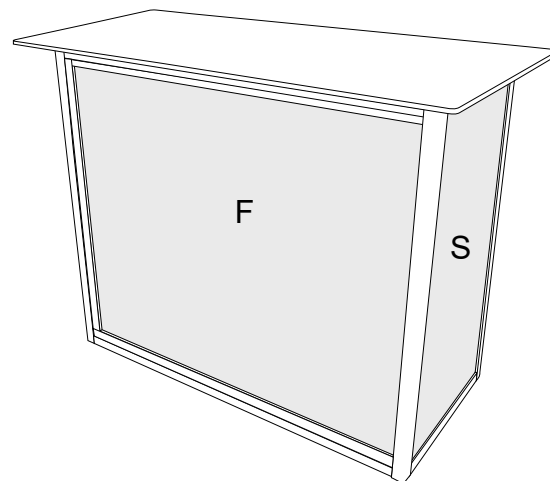
Graphic Specifications



0.5 cm Border

The 0.5 cm space will slotted into the modular hardware and will not be visible.

Critical images, such as text or non-background images, are **NOT** to be placed within 5cm of the edges. However, your artwork may allow non-critical images, such as background colour and images, bleed to the edges.

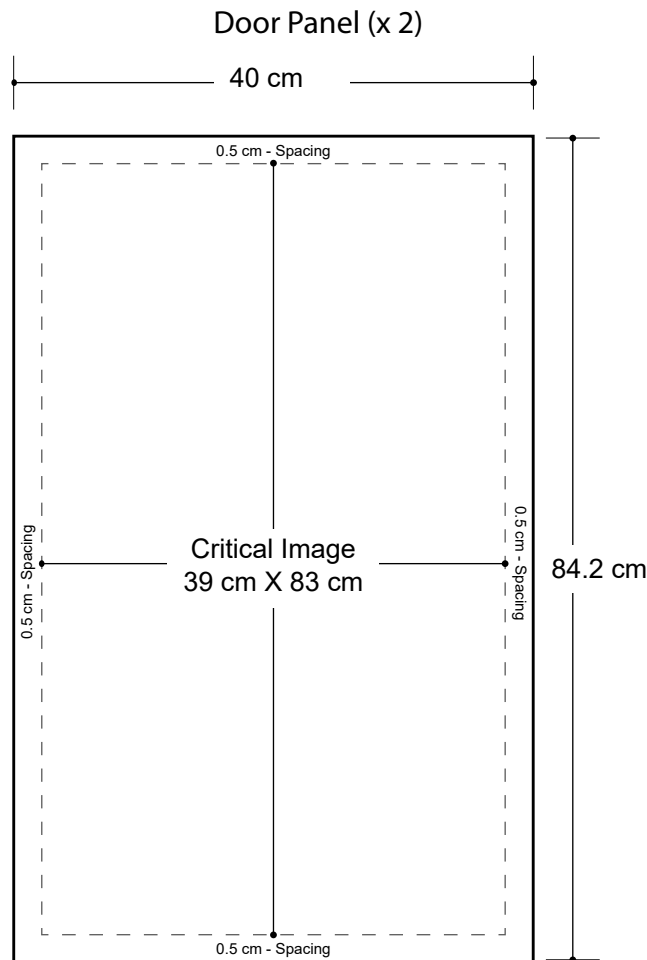


- 150 dpi
- CMYK
- Actual Size
- JPEG file



Modular Counter 120 (120cm x 60cm) (Door Panel)

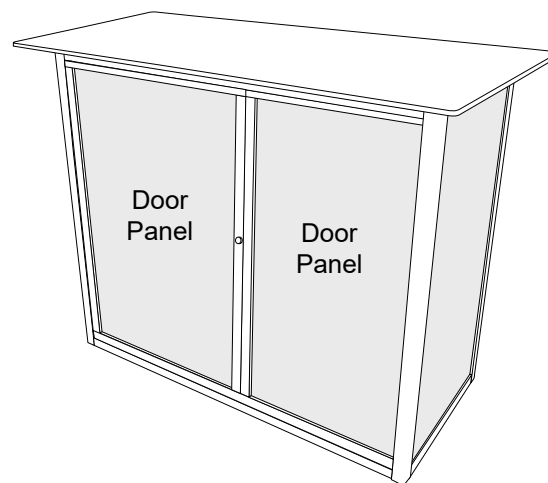
Graphic Specifications



0.5 cm Border

The 0.5 cm space will slotted into the modular hardware and will not be visible.

Critical images, such as text or non-background images, are **NOT** to be placed within 5cm of the edges. However, your artwork may allow non-critical images, such as background colour and images, bleed to the edges.

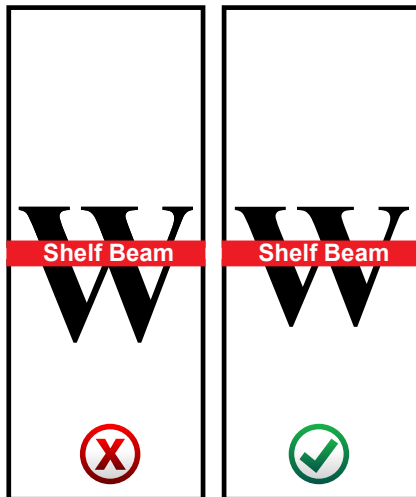
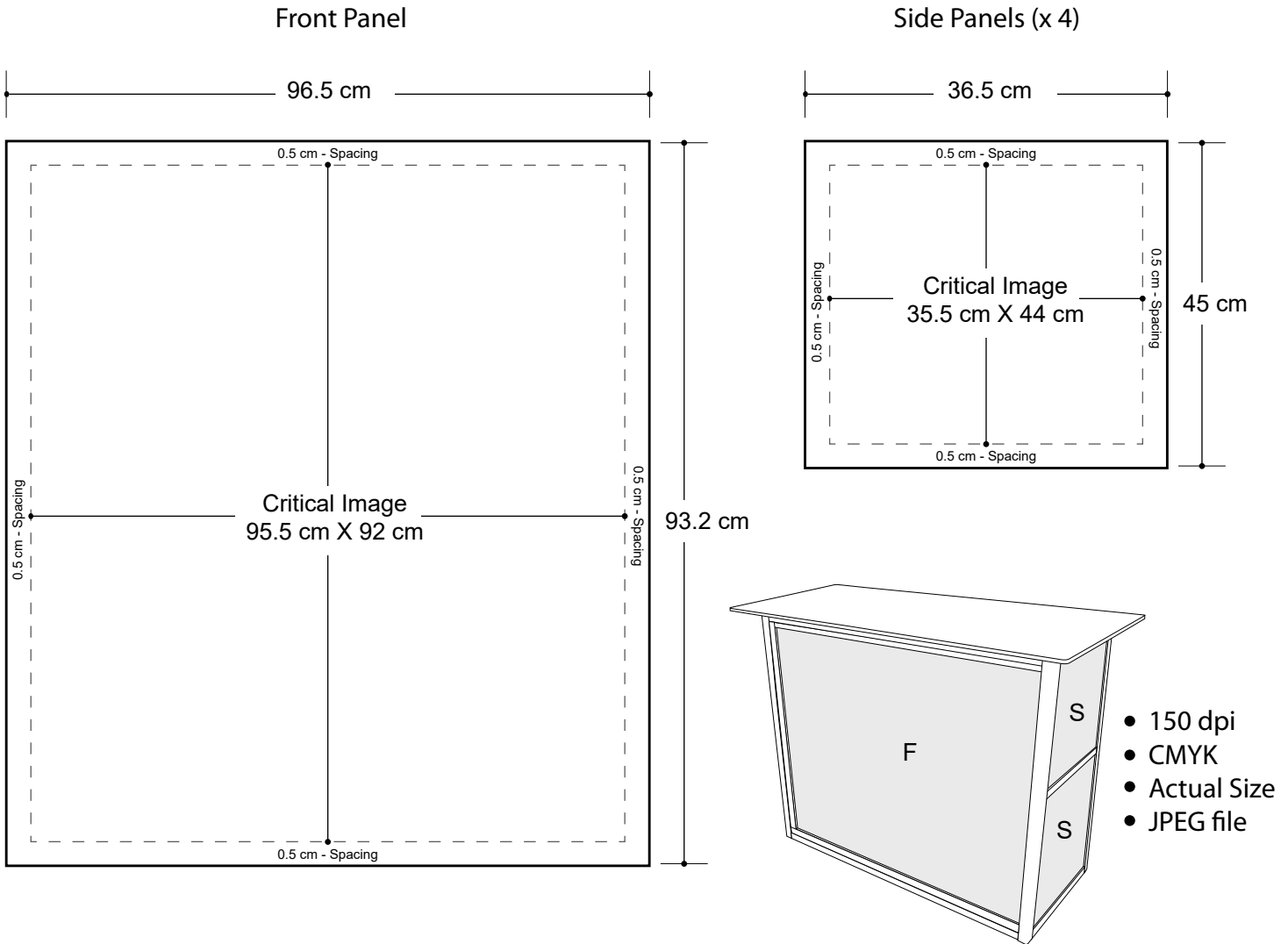


- 150 dpi
- CMYK
- Actual Size
- JPEG file



Modular Counter 120 (120cm x 60cm) (1 Shelf)

Graphic Specifications



0.5 cm Border

The 0.5 cm space will slotted into the modular hardware and will not be visible. Critical images, such as text or non-background images, are **NOT** to be placed within 5cm of the edges. However, your artwork may allow non-critical images, such as background colour and images, bleed to the edges.

*Design Tips:

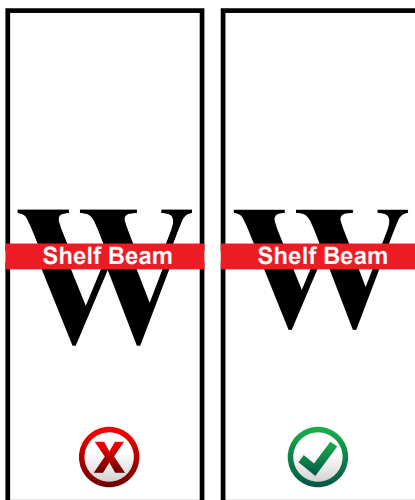
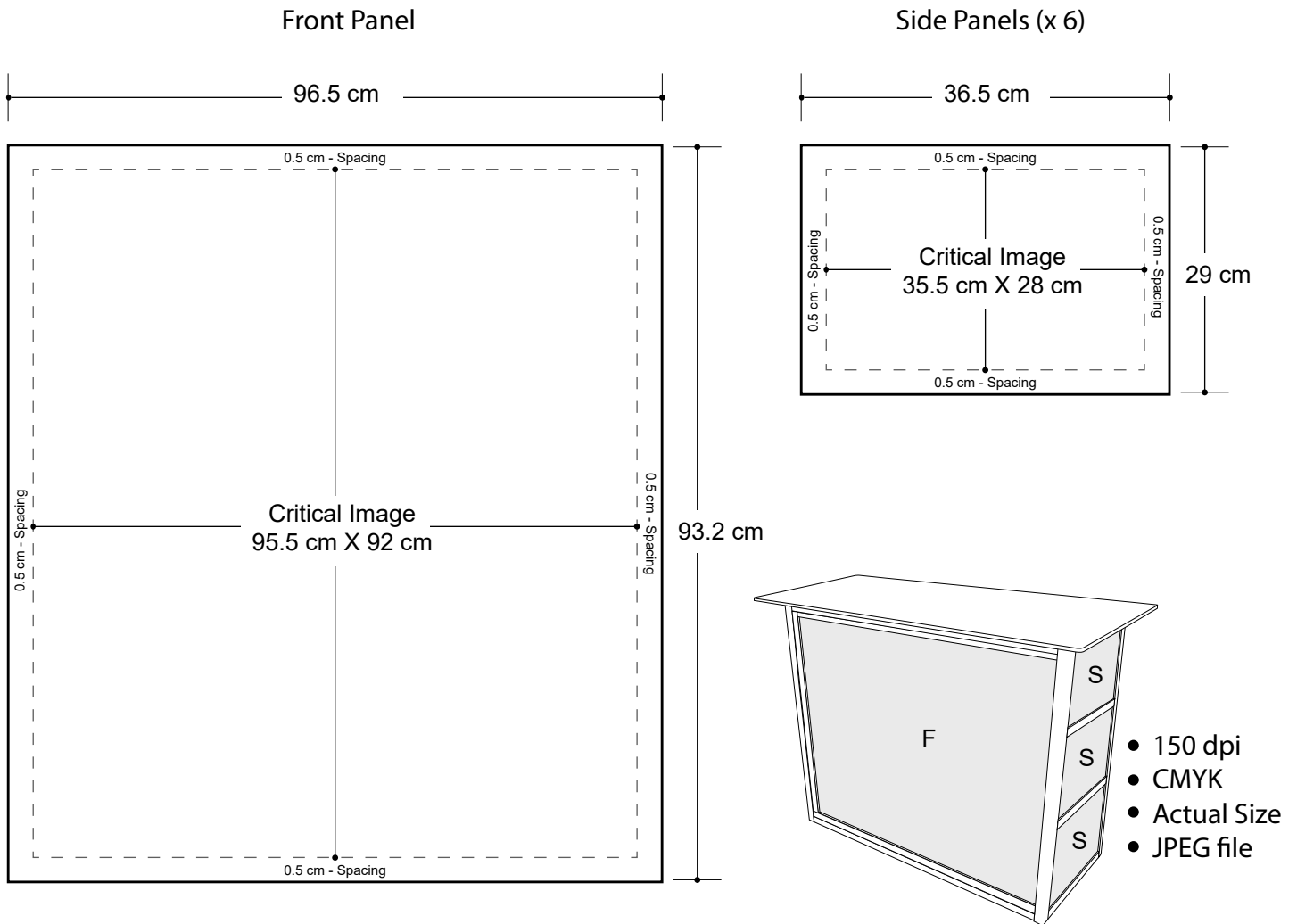
Creating Continuous graphics

When creating continuous graphics for the side panels, keep in mind there will be a 4cm beam in between for the shelf. Simply creating a graphic and then dividing it will result in a misalignment.



Modular Counter 120 (120cm x 60cm) (2 Shelves)

Graphic Specifications



0.5 cm Border

The 0.5 cm space will slotted into the modular hardware and will not be visible. Critical images, such as text or non-background images, are **NOT** to be placed within 5cm of the edges. However, your artwork may allow non-critical images, such as background colour and images, bleed to the edges.

*Design Tips:

Creating Continuous graphics

When creating continuous graphics for the side panels, keep in mind there will be a 4cm beam in between for the shelf. Simply creating a graphic and then dividing it will result in a misalignment.

